

On the other side of this sheet will be an exploded view of both the old and new style of KWC's kitchen faucet. Parts are identified by PART NUMBER (preceded by a "Z" or "K") and a number inside a circle. The following directions refer to the parts with the number in a circle and identify them as either "new style" or "old style".

Please note that the faucet need not be disassembled completely to change a hose or cartridge. Either one may be done independently of the other.

## CARTRIDGE REPLACEMENT

1. Shut off the water at valves under the sink (not shown in illustration) or at main water shut-off.
2. Confirm water is off by turning the faucet on.
3. Remove KWC cap and screw and handle ( parts 1,2,3,4 on both old and new style).
4. Remove dome (8 old style, 5 new style).
5. Move spout all the way to the left. Holding spout on the left, use a large crescent wrench or channel locks to loosen the nut (9 old style, 7 new style). If the nut is stuck, tap the wrench very lightly with a hammer to loosen.
6. Remove cartridge from the faucet (7 old style, 8 new style). Thoroughly clean and dry the cartridge cavity and threads. Use 50/50 solution of vinegar and water and a soft toothbrush to clean away calcium deposits if they are present. **Make sure you get the rubber washer below cartridge, failure to do so will cause leaks.**
7. Wet the O-ring that surrounds the new cartridge and install the cartridge so that the small triangle on the cartridge points towards the notch on the front of the faucet cavity.
8. Apply a light coating of silicon grease (never mineral grease) to the threads of the retaining nut and screw on to faucet **hand tight only**. WARNING - OVER TIGHTENING THE NUT WILL MAKE THE LEVER STIFF. NOTE: TURN THE WATER ON AT THIS POINT AND CHECK FOR LEAKS BEFORE REPLACING THE DOME AND LEVER.

## HOSE REPLACEMENT

1. Remove lead weight from the hose (24 old style, 28 new style).
2. Unscrew hand spray from hose (16 old style, 20 new style).
3. Unscrew hose from the faucet, underneath the sink (23 old style, 27 new style). Use a metric 14 wrench if connection is tight. If faucet has check valve (31 new style), detach hose from check valve.
4. Pull the old hose up through the spout. Push from below if hose becomes stuck.
5. Push small end of new hose through spout. **NOTE: Push hose from below if stuck.**
6. Stretch the hose straight below sink to remove twists. Connect to faucet, making sure small o-ring is between hose/check valve and swivel fitting.
7. Re-connect the hand spray. **Make sure large washer is in place** (21 old style, 26 new style).
8. Install weight on hose, just above where it loops below sink. Check for leaks.

# KWC

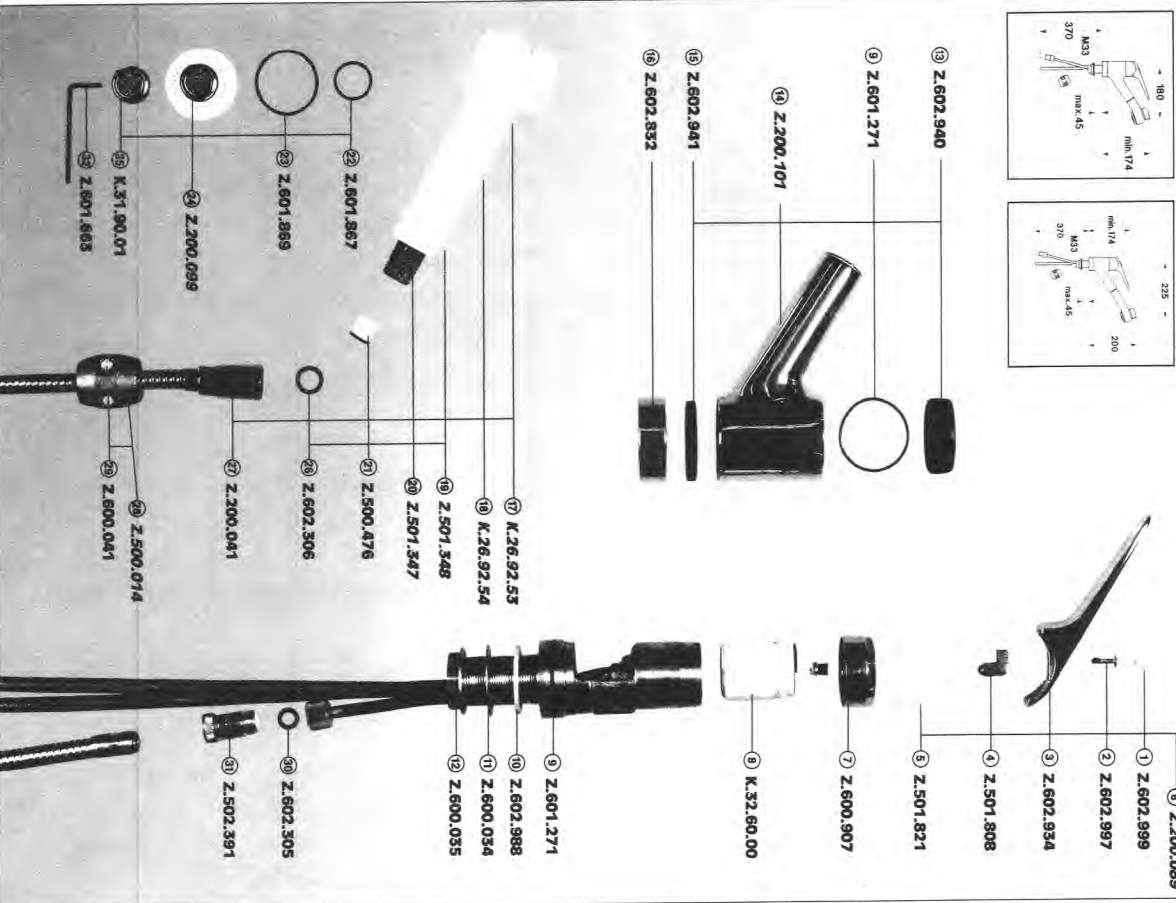
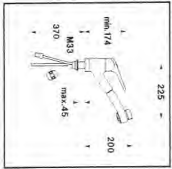
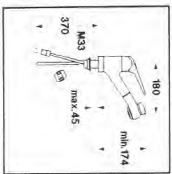
FAUCETS

## NEW STYLE K.10.61.33

### KWcdomo Spare parts

K.10.61.32

K.10.61.33



# KWC

FAUCETS

## OLD STYLE K.10.31.33

### NEDDOMO Spare parts

K.10.31.32 A180

K.10.31.33 A225

